

DOOR KEYPAD MOUNTING KIT - MOUNTING INSTRUCTIONS

1. INTRODUCTION

The Door Keypad is used for the same purpose as the standard control keypad. It is installed on the door of a switchgear cabinet.

For the installation, you need the following parts (see picture below):

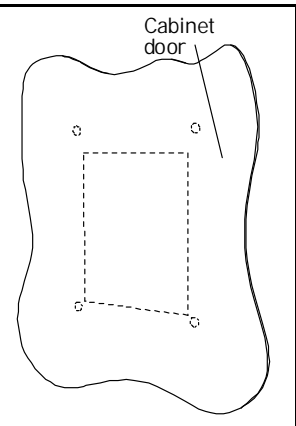
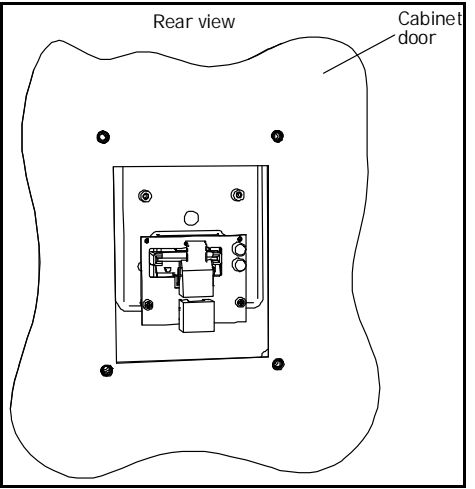
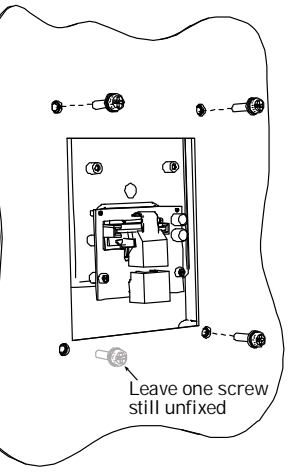


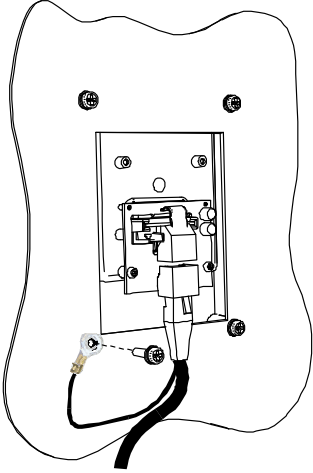
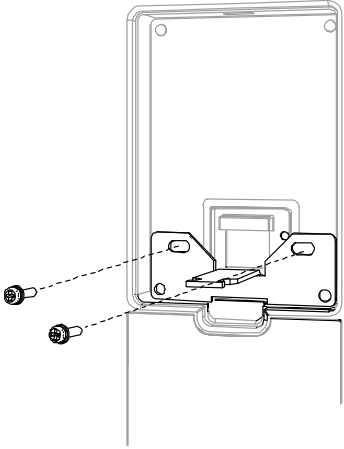
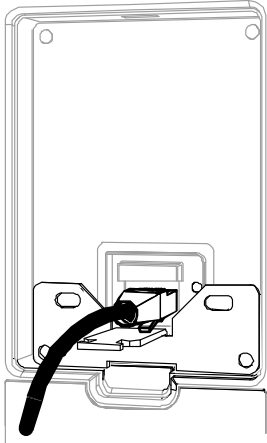
Figure 1. Door keypad mounting kit

1. Door keypad base
2. Cable support
3. Data cable with attached grounding cable
4. Cable tie
5. Screws (4 pcs)
6. Screws (2 pcs)

MAKE SURE THAT YOU HAVE RECEIVED ALL NECESSARY PARTS!

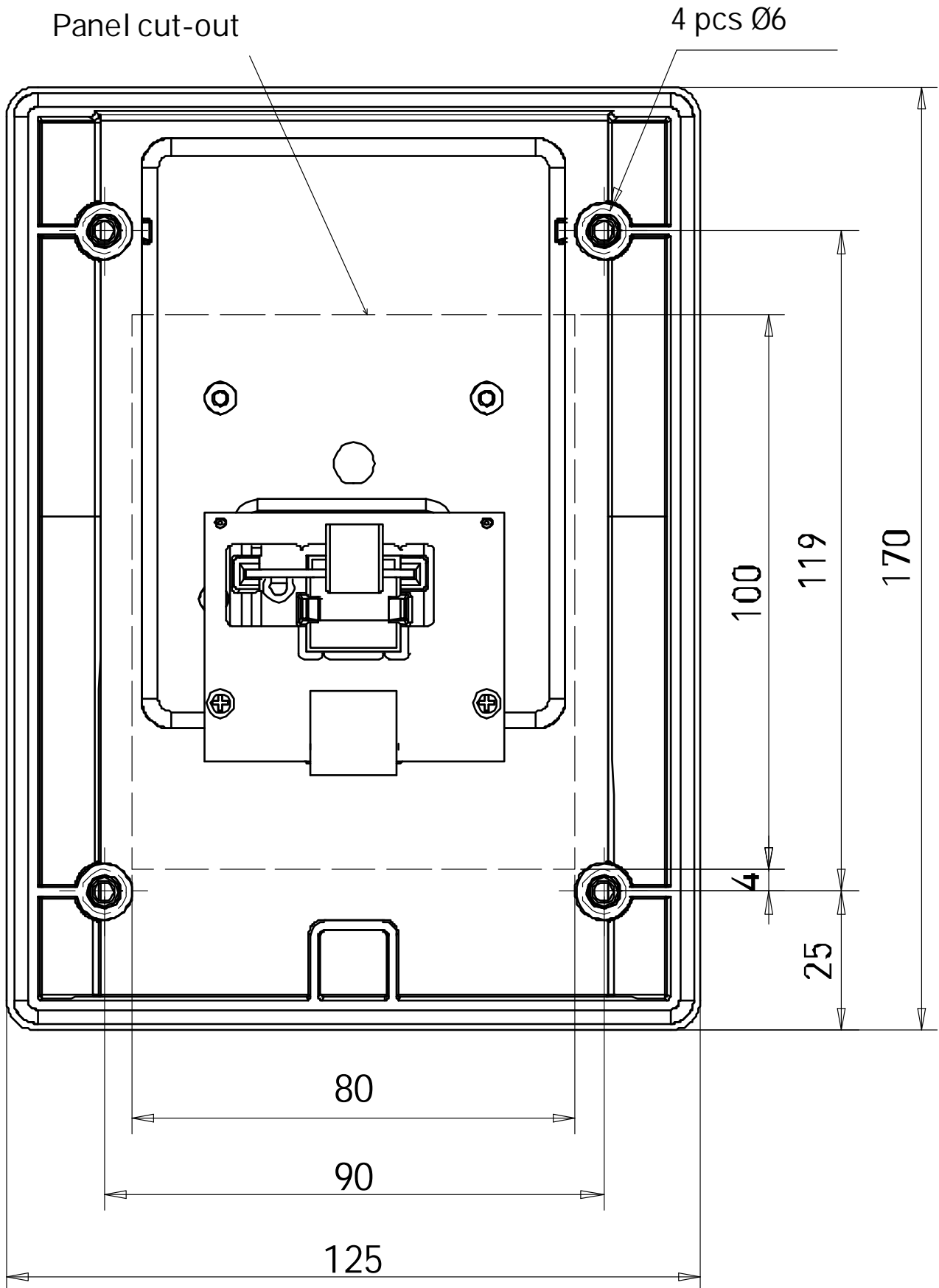
2. MOUNTING PROCEDURE

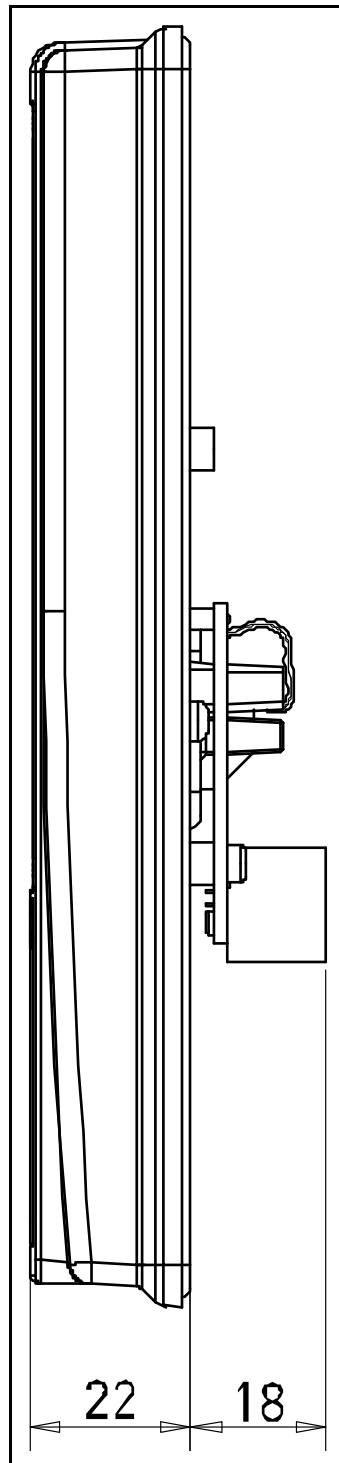
1	<p>Make an opening in the cabinet door for the control keypad according the dimensions in Appendix 1. Make also the holes in the cabinet door for the screws using the dimensions in Appendix 1.</p>	
2	<p>Place the control keypad base (1.) toward the opening so that the screw holes you made in the cabinet door meet the bushings on the backside of the base. See figures below.</p>	
3	<p>Fix the base on the cabinet door by tightening the screws (5.).</p>	

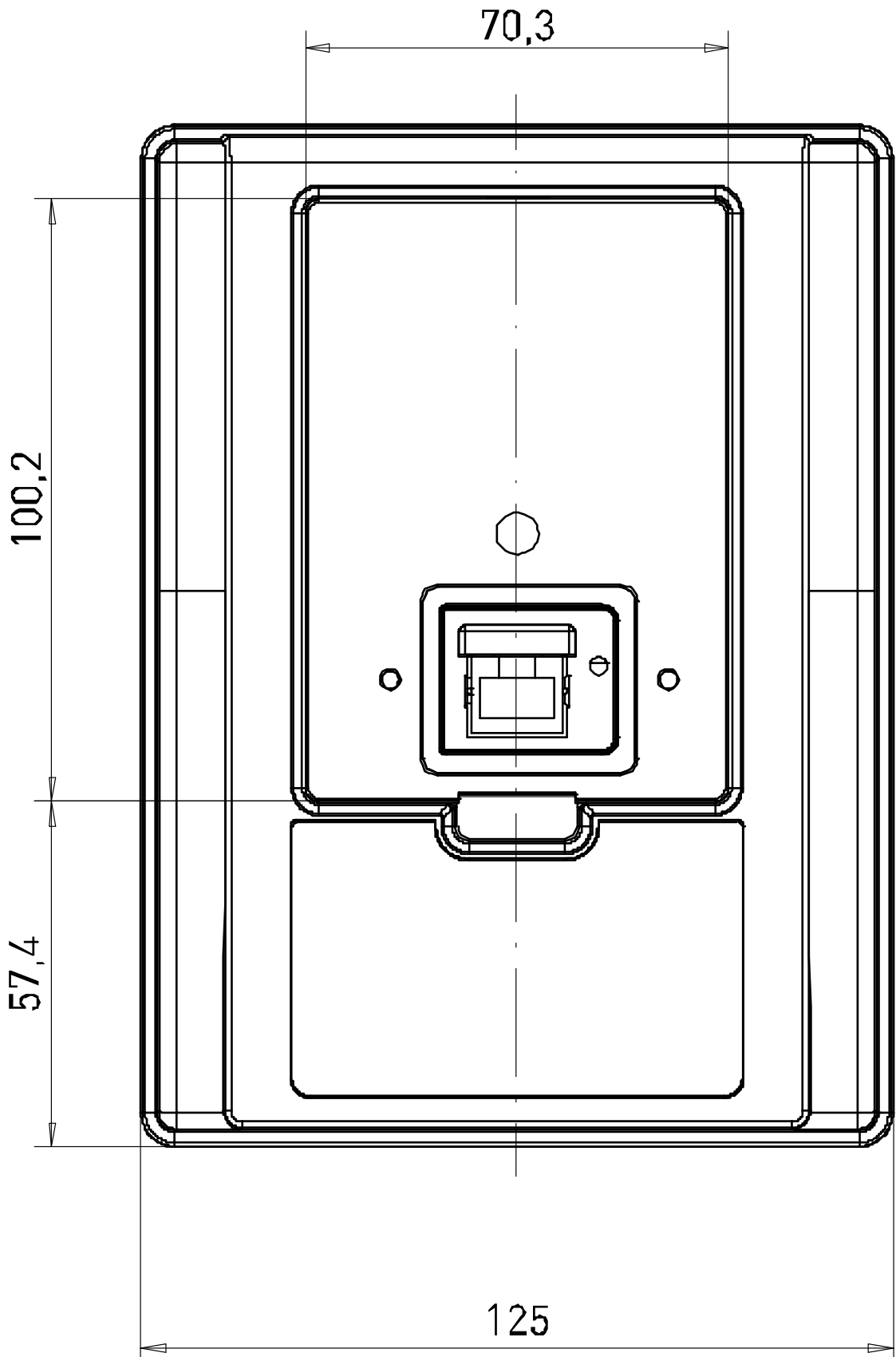
<p>4</p>	<p>Also fix the grounding cable (3.) against the back-side of the cabinet door through one of the screw-holes. NOTE: Ensure that a proper contact with the cabinet door is achieved. Remove, if necessary, the paint from the metal surface. Don't forget to place the washers (attached to the screws) between the door and the screws. The tightening torque to be applied is 1.5 Nm. Connect the data cable (3.) to the terminal of the keypad.</p>	
<p>5</p>	<p>Attach the cable support in the keypad base of the AC drive using the screws (6.).</p>	
<p>6</p>	<p>Connect the other end of the data cable to the terminal in the keypad base of the AC driver. Door keypad is now ready to use.</p>	

3. APPENDIX X

The graphic is in real size. Use it to mark the cut-out for the door keypad as well as the screw holes.







Automation and Control Solutions

Honeywell International Inc.
1985 Douglas Drive North
Golden Valley, MN 55422
customer.honeywell.com

Honeywell Limited-Honeywell Limitée
35 Dynamic Drive
Toronto, Ontario M1V 4Z9

© U.S. Registered Trademark
© 2010 Honeywell International Inc.
69-2548-01 T.W. 11-10

Printed in USA

Honeywell